

# FARMA LOG LIFTER LL 1000

## LOG LIFTER FOR FRONT LOADER

FARMA has developed a complete timber grip for a variety of tractors with front loaders, wheel loaders, telescopic loaders and other small machines with standard brackets.

LL 1000 allows you to move logs simply and easily, on the farm, in the forest, in the terminal.

Log lifter has a max opening of 100 cm and can hold up to 50 cm logs. In normal use it can lift 600 kg.

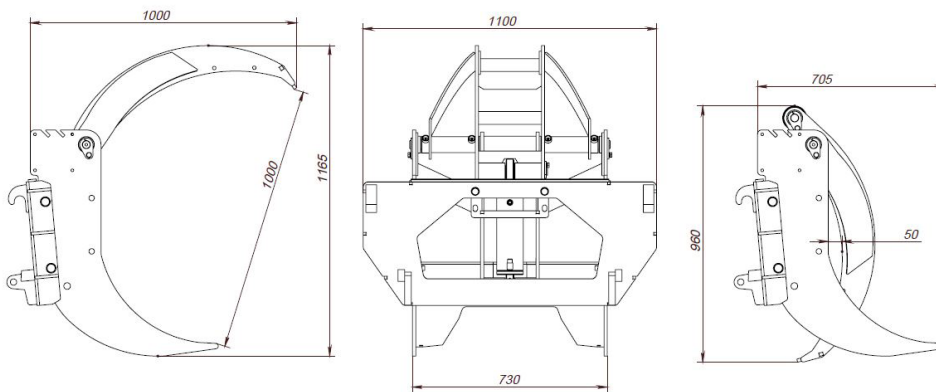
To add extra value to your log lifter, we offer RW 600 winch as an extra option. Using the winch you can pull the material from 30 metres. The winch is controlled remotely, which is included with the necessary valve installation. It is easily retrofitted.

The timber grip is available with various bolted brackets which are interchangeable, if necessary.



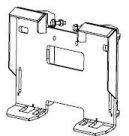
Technical data	Log lifter
Max. grapple opening	1 000 mm
Max. height	1 165 mm
Max. pressure	19.0 MPa
Recommended oil flow	20-40 l/min
Weight without fitting	165 kg
Max. load	1 500 kg

### DIMENSIONAL DIAGRAM

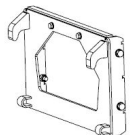


### COUPLINGS

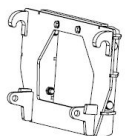
**Skidsteer/bobcat**  
211 kg



**Trima**  
195 kg



**Euro**  
207 kg



We reserve the right to alter specifications without prior notice. Figures for the measurements are only of illustrative purpose.